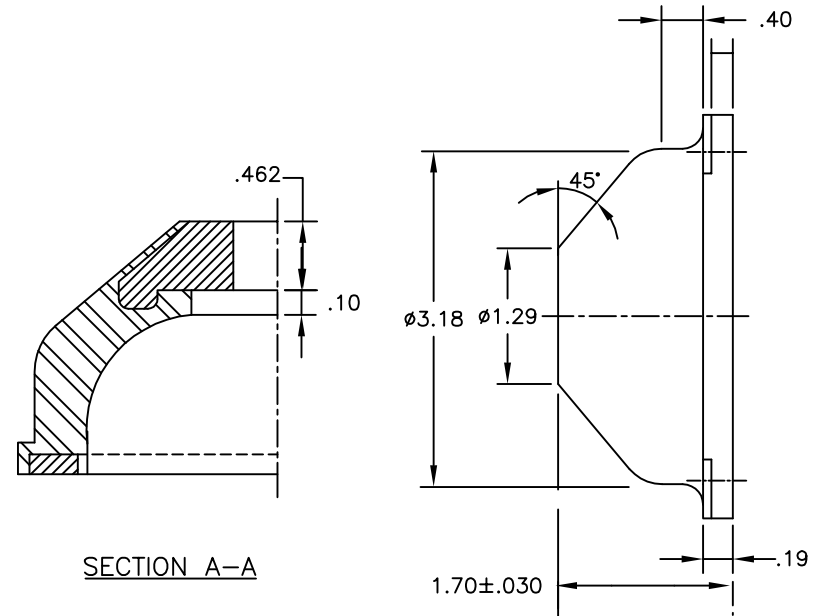
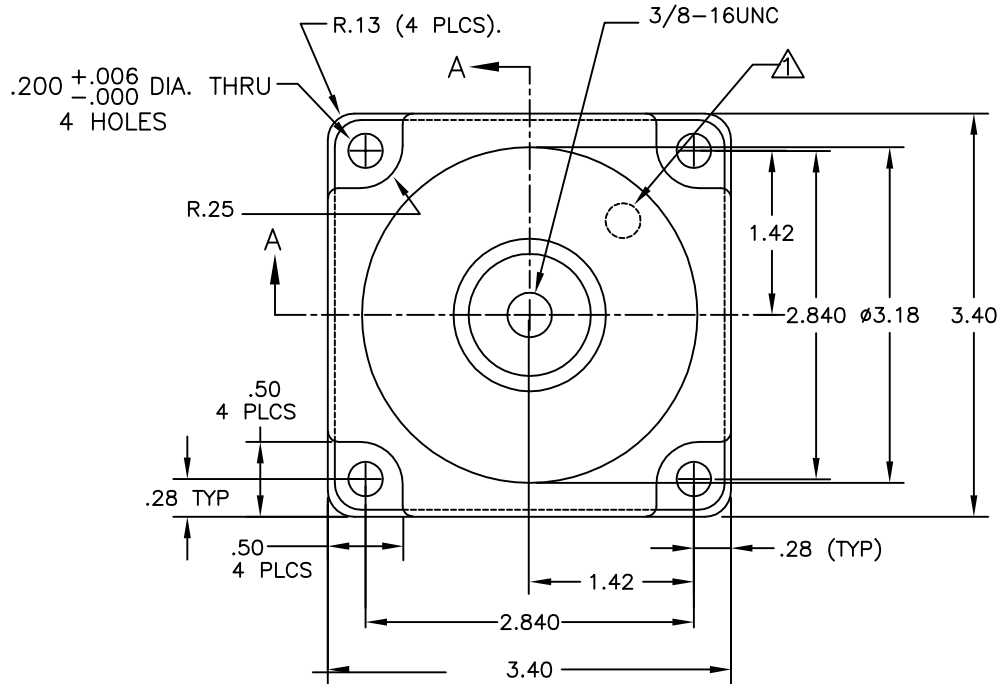



REV.	DESCRIPTION	DATE	BY

PART NO.	MODEL NO.	COMPOUND	DUROMETER	COMMENT
770085-1	LD2-10N	RC011	32	NEOPRENE
770085-2	LD2-20N	RC015	52	NEOPRENE
770085-3	LD2-40N	RC019	68	NEOPRENE



NOTES:

-  COLOR CODE PER TABLE. LOCATION IS APPROXIMATE WHERE SHOWN. MARKING CONFIGURATION IS OPTIONAL AND SIZE TO BE CONTAINED WITHIN A .38 MAX. DIAMETER LIMIT.
- MARK PART NO. PER INK STAMP. (SEE DURO IN TABLE ABOVE). .12 HIGH CHARACTERS.

OTHER MATERIALS, COMPOUNDS, OR FINISHES WITH EQUAL OR SUPERIOR PROPERTIES MAY BE SUBSTITUTED AS THEY BECOME AVAILABLE.

CERTIFIED FOR:

JOB NAME: _____
 CUSTOMER: _____
 CUSTOMER P.O.: _____
 SALES ORDER: _____

**MODEL LD2 10-40 LBS.
 HIGH DEFLECTION
 ELASTOMERIC ISOLATOR**



THE VMC GROUP
The Power of Together
 Bloomingdale, NJ 07403
 Houston, TX 77041

SCALE:

NONE

SHEET:



DRAWING NO.:

REVISION